

Salvico for Yachts



When Safety Matters



Fire Detection Systems
Reliable and Customized Solutions

Picture courtesy of ISA Yachts

Salwico Fire Detection for Yachts

The ultimate fire detection systems for yacht and commercial vessels

Salwico CS4000

Efficient fire alarm systems are of vital importance for the protection of lives and assets at sea.

To meet these demands Consilium offers state of the art fire alarm systems, developed for the most demanding marine environments.

Consilium's CS4000 fire alarm system is a fully adaptive analogue addressable system. In an alarm situation it can easily identify the unit that has given the alarm and is therefore capable of giving correct information about the exact location of the fire at a very early stage. CS4000 offers extremely reliable fire detection with a high degree of protection against unwanted alarms. Every loop unit in the CS4000 has a built-in intelligence and can initiate a fire alarm all by itself. Another unique feature is the Salwico Memory Stick™ connection that gives the system operator a new tool to simplify configuration and upgrading.

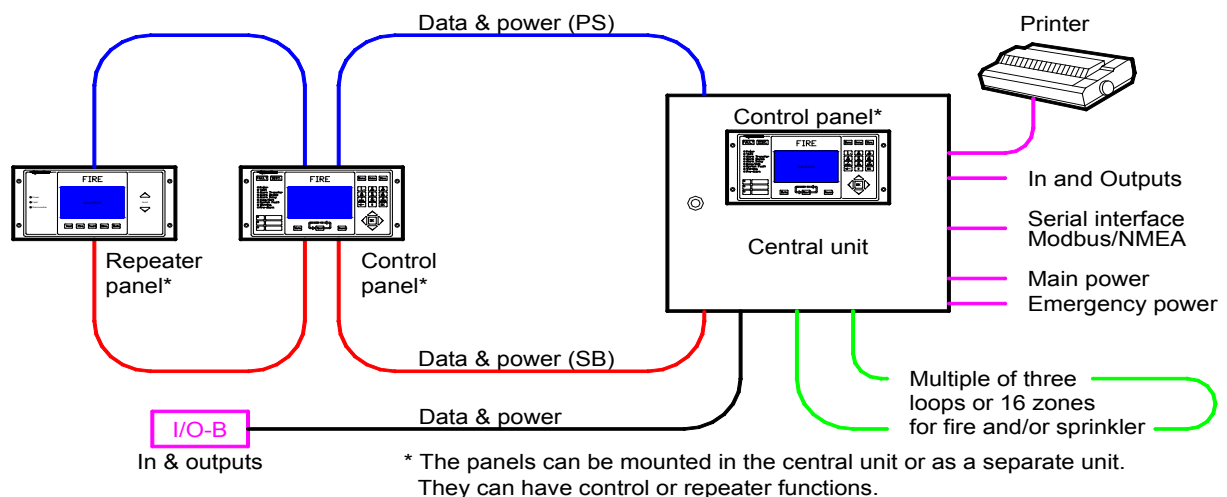


Standard features

In its standard version the CS4000 is among other features equipped with the following Inputs/Outputs.

- 4 programmable inputs, closing contacts
- 7 programmable relay outputs, 24VDC/1A
- 2 programmable relay outputs, 230VAC/5A
- Printer output in the operating panel, RS232
- Printer/communication output in the central cabinet, RS232/RS485
- Door holder (magnet) output, 24VDC/400 mA
- External buzzer output in the operating panel
- External buzzer output in the central cabinet
- GA morse input

Block diagram



Salwico ServoFighter

Even small vessels should be properly protected.

With the ServoFighter C4 we can offer a cost effective, yet high quality fire detection system for small vessels like tugs, fishing vessels, yachts, tourist boats etc.

Flexible solutions

With the recessed mounting kit the ServoFighter can be mounted in the bridge console. The recessed mounting kit contains a frame, which is mounted outside the fire alarm cabinet.

In order to save space in the bridge console, the operator panel can be flush mounted separately and connected to the cabinet through a 4-core cable. The cabinet itself, with the terminal connections, charging rectifier and battery, can be mounted in a suitable location up to 200 meters from the operator panel. (Kit for distributed mounting required.) An additional operator panel may also be connected via a 4-core cable.

For the smallest vessels, without a 230V AC generator, the ServoFighter can be delivered in a 24V version (no back-up batteries). If back-up batteries are required, the standard ServoFighter can be delivered with an external DC/DC converter for connection directly to the ship's 24V supply.

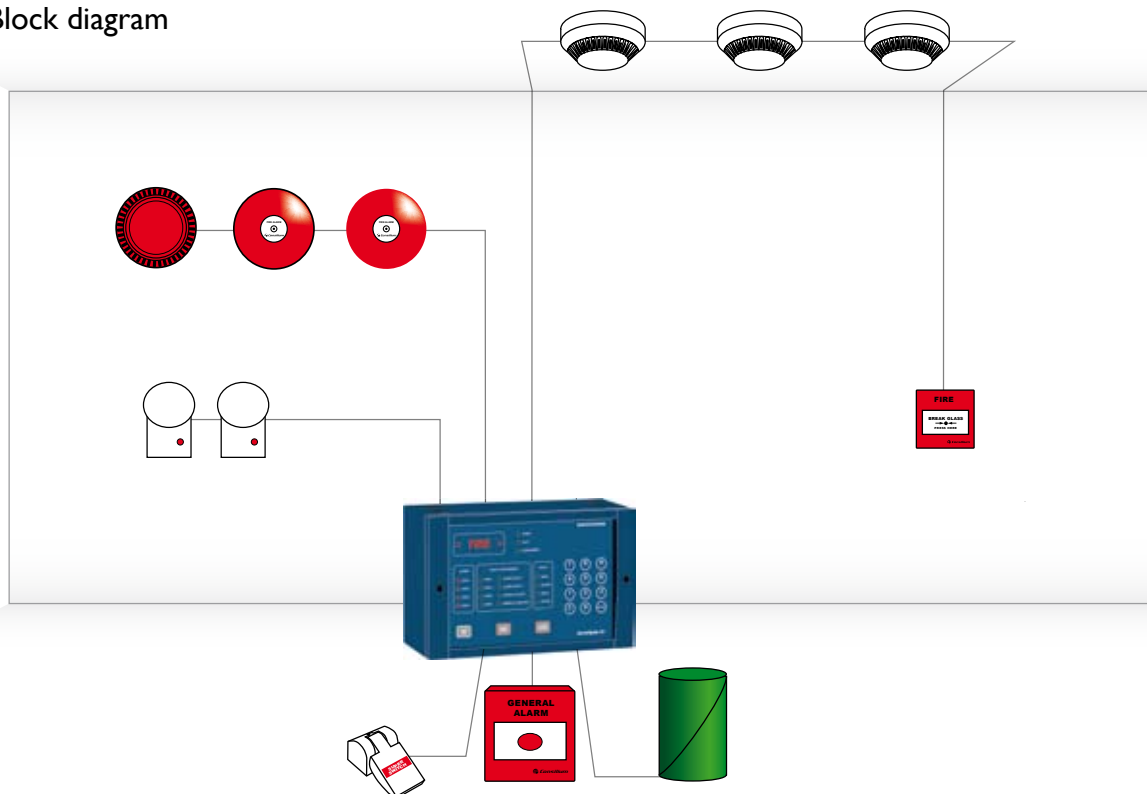
All inputs and outlets in the ServoFighter fire alarm panel are freely programmable. During the installation, changes in the configuration can be carried out on site either by entering codes on the operator panel keyboard or by means of a PC with the ServoFighterProg software.



Product features:

- 4 conventional loops with a capacity of up to 3 detectors in each loop.
- 2 monitored alarm outlets for sounders (24 4V)
- 1 door holder output (24V)
- 2 potential free outlets NO C NC (fire contact and fault contact)
- Input for General Alarm Switch.
- Built-in back-up battery (5 Ah)
- 1 additional operator panel can be connected
- Possibility to handle gas alarm

Block diagram



Consilium worldwide



SWEDEN

Consilium Marine & Safety AB

Fire & Gas Marine Division
 Gothenburg
 Phone: +46 31 710 77 00
cmsab@consilium.se

Navigation Division

Stockholm
 Phone: +46 08 563 05 100
cmsab@consilium.se

Storm & Co Skepsradio AB

Gothenburg
 Phone: +46 31 51 35 10
stormco@stormco.se

BELGIUM

Consilium Marine Systems BV
 Zeebrugge
 Phone: +32 50 70 30 97

CHINA

Consilium Shanghai Co. Ltd.
 Shanghai
 Phone: +86 21 5152 22 60
sales@consilium.cn

Dalian

Phone: +86 411 8386 4460

FINLAND

Consilium Marine OY
 Helsinki
 Phone: +358 405 25 28 25
info@consiliummarine.fi

GERMANY

Consilium GmbH
 Hamburg
 Phone: +49 40 822 22 95-0
consilium@consilium-hamburg.de

GREECE

Consilium Marine Hellas
 Piraeus
 Phone: +30 210 428 7097/8
info@consiliumhellas.gr

INDIA

Consilium India Pvt. Ltd.
 Mumbai
 Phone: +91 2267935150-53

Vishakhapatnam:

Phone: +91 891 301 03 20
consilium.vizag@consilium.ae

ITALY

Consilium Marine Italy Srl.
 Florence
 Phone: +39 0571 68121
cmi@consilium.it

Genova

Phone: +39 010 5533900

Naples

Phone: +39 08154 23122

JAPAN

Consilium Nittan Marine Ltd
 Tokyo
 Phone: +81 03 5465 1881
info@consilium-nittan.com

NETHERLANDS

Consilium Marine Systems BV
 Rotterdam
 Phone: +31 182 382 422

NORWAY

Consilium Scandinavia AS
 Oslo
 Phone: +47 22 30 90 30
mail@consilium-norway.no

SPAIN

Consilium RMI Spain S.A.
 Bilbao
 Phone: +34 94 404 2121
attdcliente@consiliumrmisspain.com
Algeciras
 Phone: +34 94 404 2121

Las Palmas

Phone: +34 94 404 2121

Barcelona

Phone: +34 94 404 2121

Valencia

Phone: +34 94 404 2121

SINGAPORE

Consilium Marine Singapore Pte. Ltd.
 Singapore
 Phone: +65 6570 8998
mail@consilium.sg

SOUTH KOREA

Consilium Marine Korea Ltd.
 Pusan
 Phone: +82 51 740 5869/71-3

QATAR

Consilium Qatar LLC
 Doha
 Phone: +974 466 53 32

UAE

Consilium Middle East (FZC)
 Sharjah
 Phone: +971 6 55 70 740

UAE cont

Consilium Middle East General Contracting LLC
Consilium Middle East Equip & Spare Parts LLC
 Abu Dhabi
 Phone: +971 2 622 93 46

UK

Consilium Marine UK
 Folkestone
 Phone: +44 1268 41 77 45
info_uk@consilium.co.uk

Glasgow

Phone: +44 1268 41 77 45

USA

Consilium Marine US
 Fort Lauderdale
 Phone: +1 954 791 7550

Long Beach

Phone: +1 954 791 7550

VIETNAM

Consilium Vietnam JSC
 Hanoi
 Phone: +84 4 37 93 14 31

Ho Chi Minh City

Phone: +84 8 410 13 38



www.consilium.se